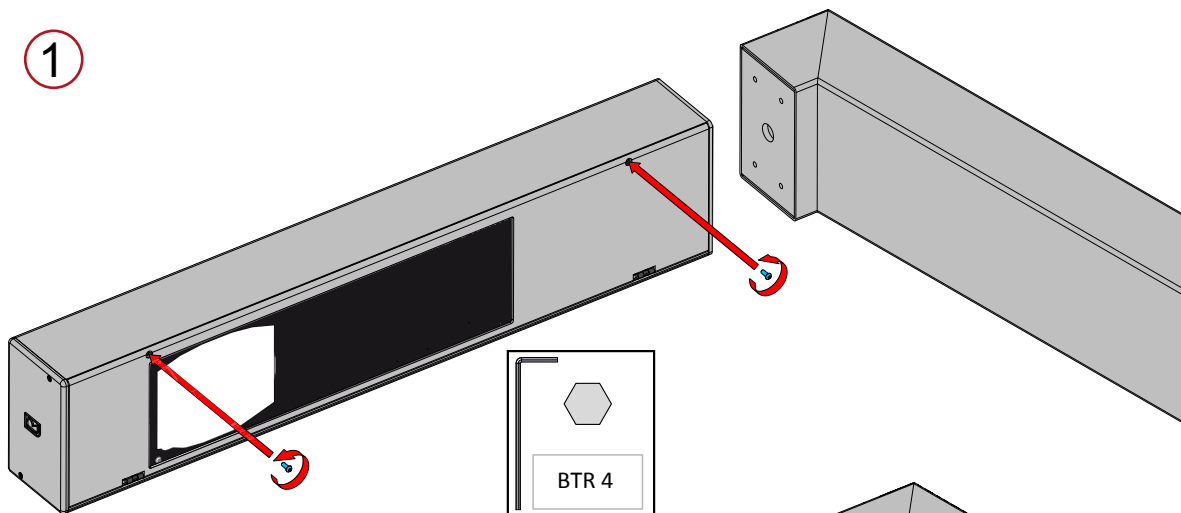


INSTALLATION & MAINTENANCE DOMITIENNE V2

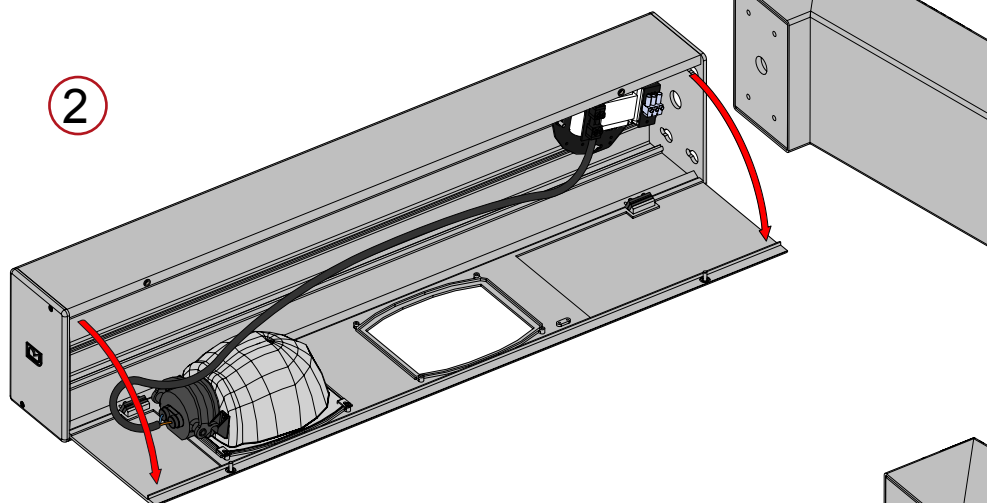


PROCÉDURE D'INSTALLATION INSTALLATION PROCEDURE

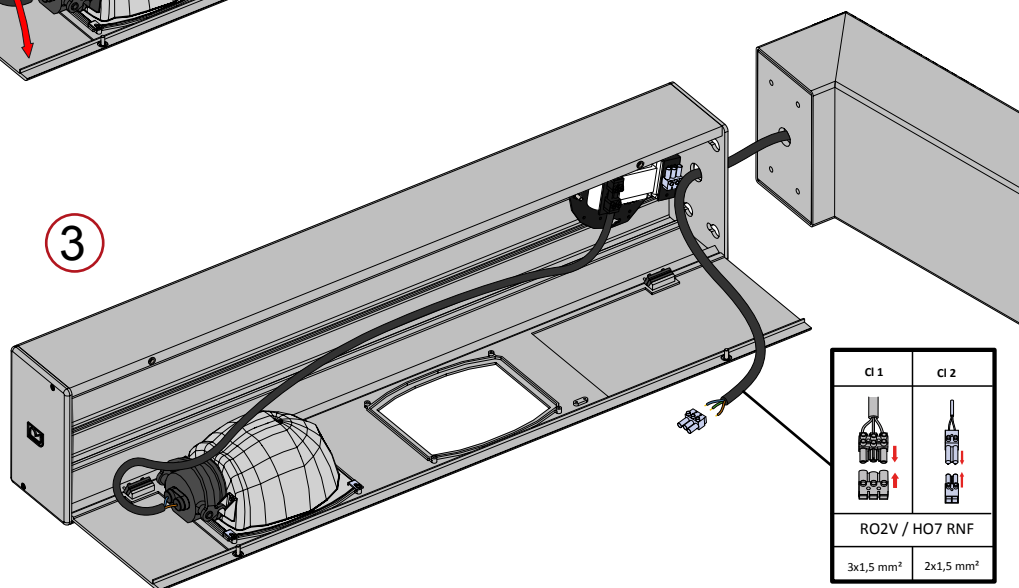
1



2

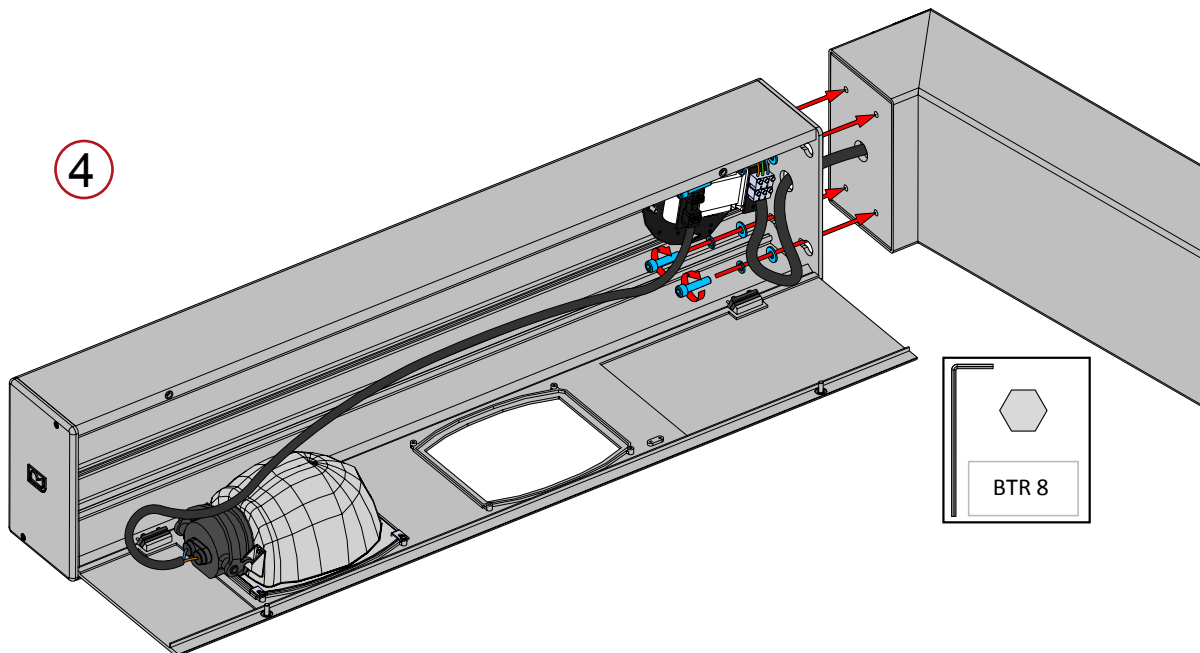


3

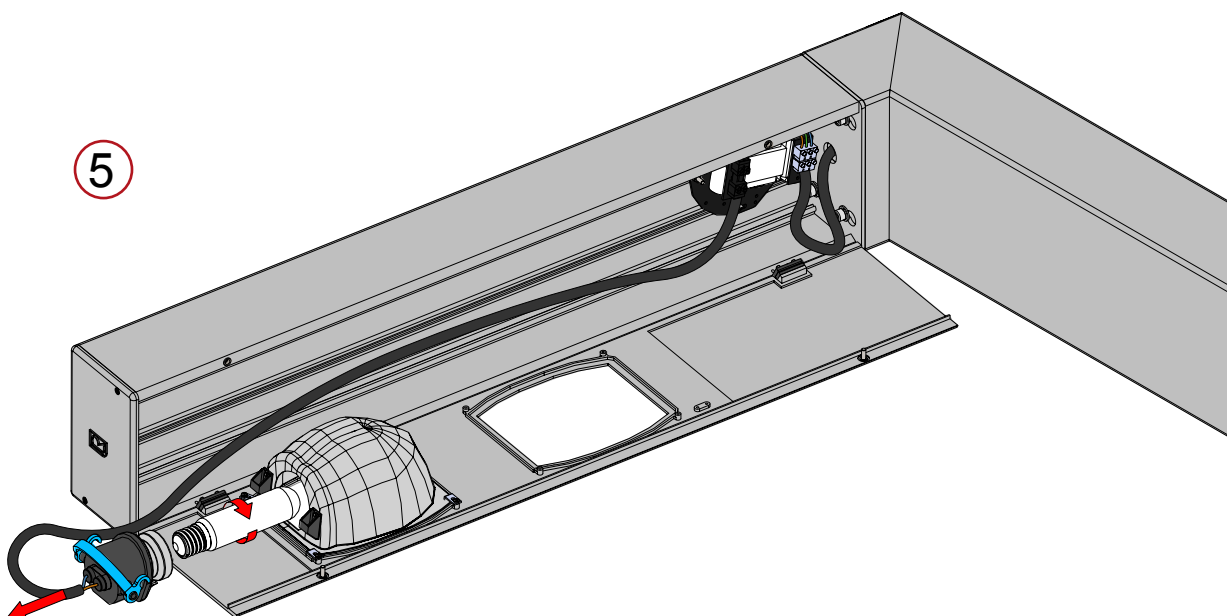


CI 1	CI 2
RO2V / HO7 RNF	
3x1,5 mm ²	2x1,5 mm ²

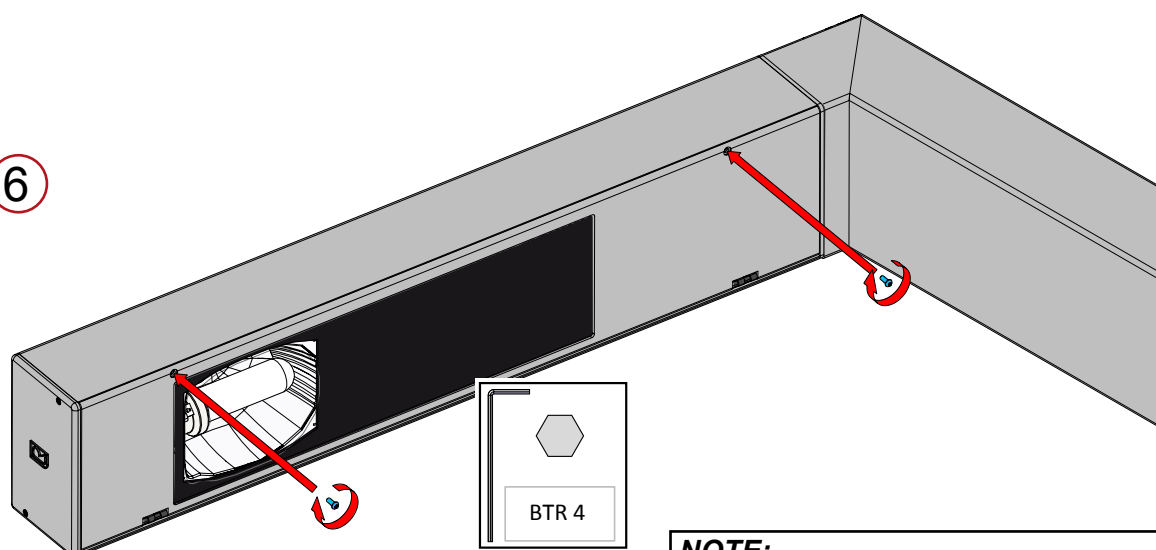
4



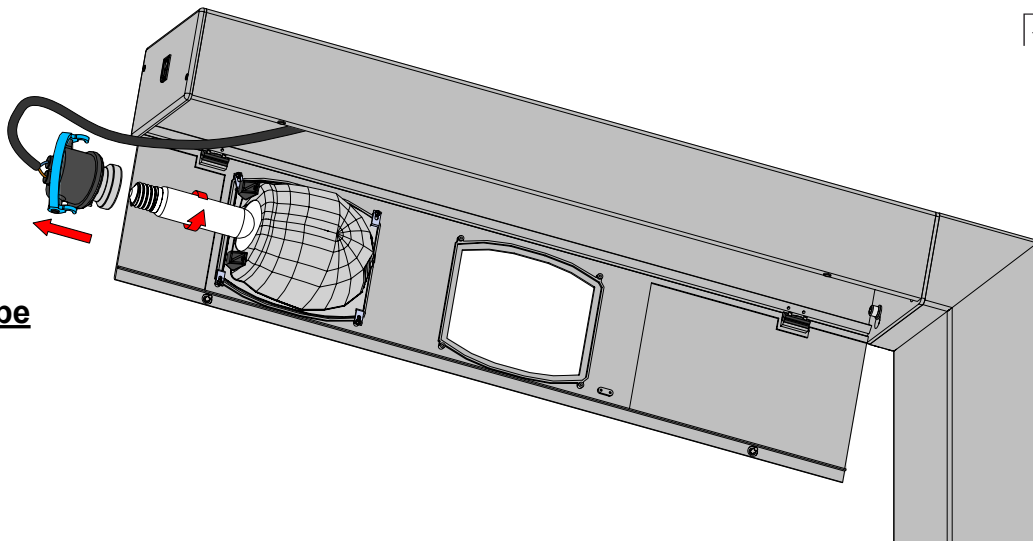
5



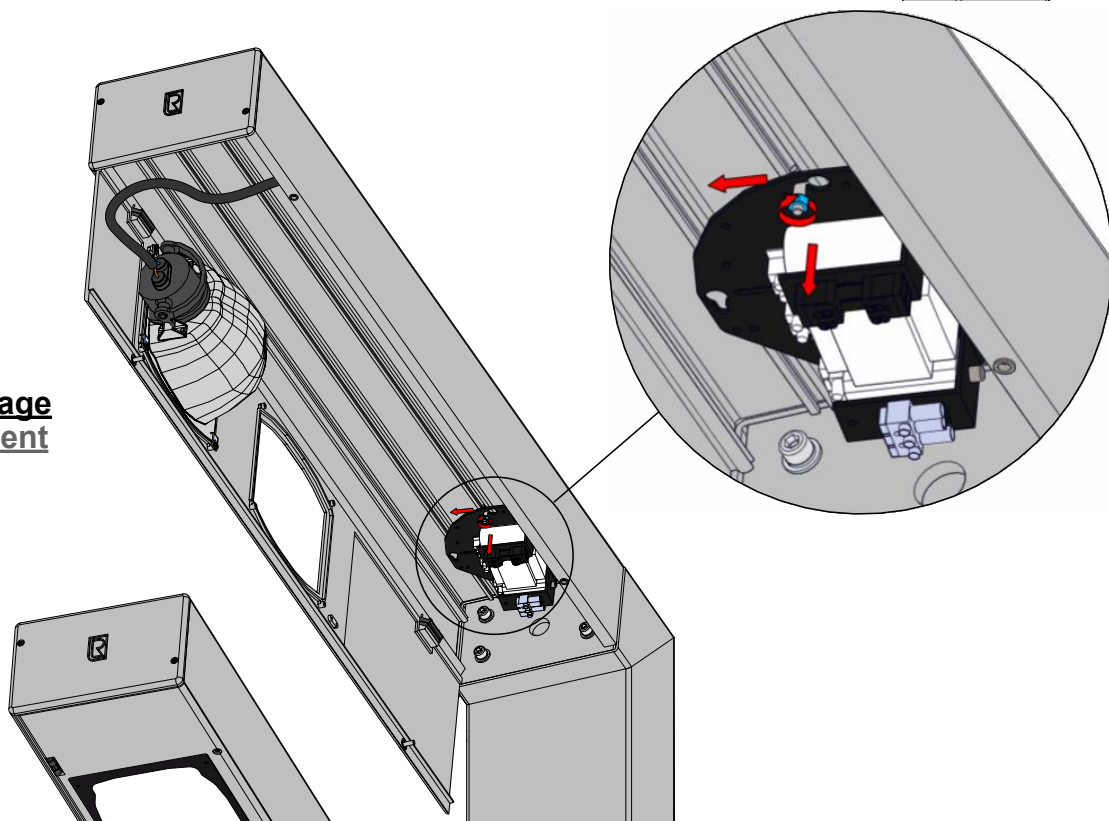
6



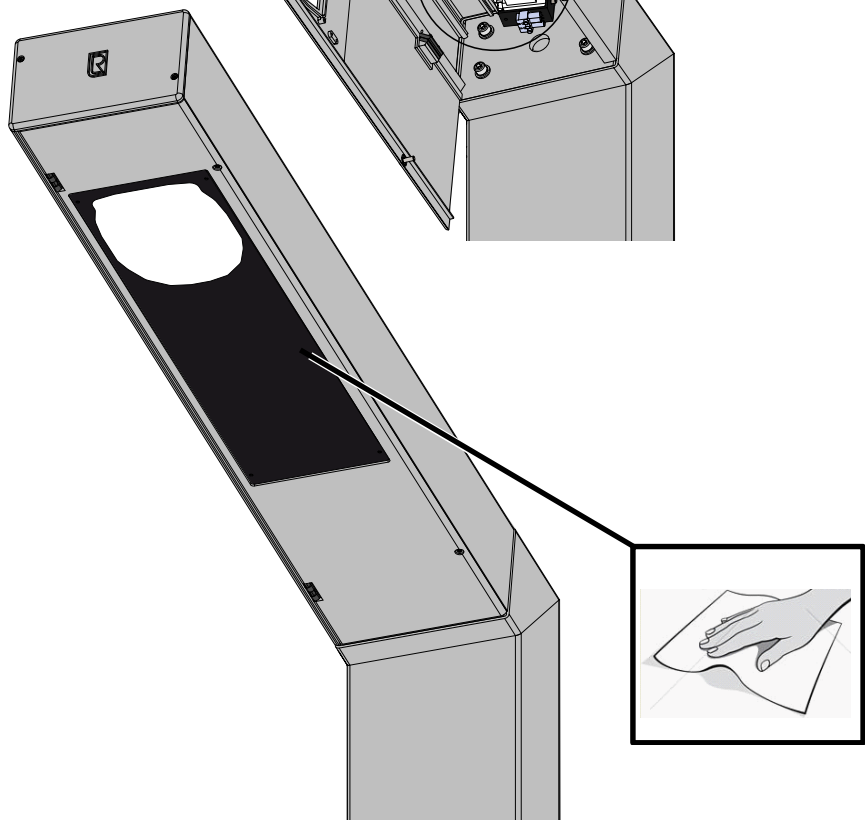
NOTE:
 Procédure de montage identique
 pour un feu additionnel.
 Identical procedure for additional light.



Démontage de la lampe
Dismounting lamp



Démontage appareillage
Dismounting equipment



Nettoyage verre
Glass cleaning

**CARACTÉRISTIQUES
TECHNIQUES**

**TEHCNICAL
CHARACTERISTICS**



Dimensions lumineaires: (L x l x h)

Light dimensions

800mm x 250mm x 150mm
31.5in x 9.54in x 5.91in
1200mm x 250mm x 150mm
47.24in x 9.54in x 5.91in
1500mm x 250mm x 150mm
59.06in x 9.54in x 5.91in

Position normale de fonctionnement:

Standard operating position:

0° à 30°
0° to 30°

Poids:

Weight:

Luminaire:

- 800mm:	14.5 Kg 32lb
-1200mm:	21 Kg 46.3lb
-1500mm:	23 Kg 50.7lb

Mâts:

- 4m	123.5 Kg 272.3lb
- 5m	148 Kg 326.3lb
- 6m	172.5 Kg 320.3lb
- 7m	197 Kg 434.3lb
- 8m	221.5 Kg 488.4lb