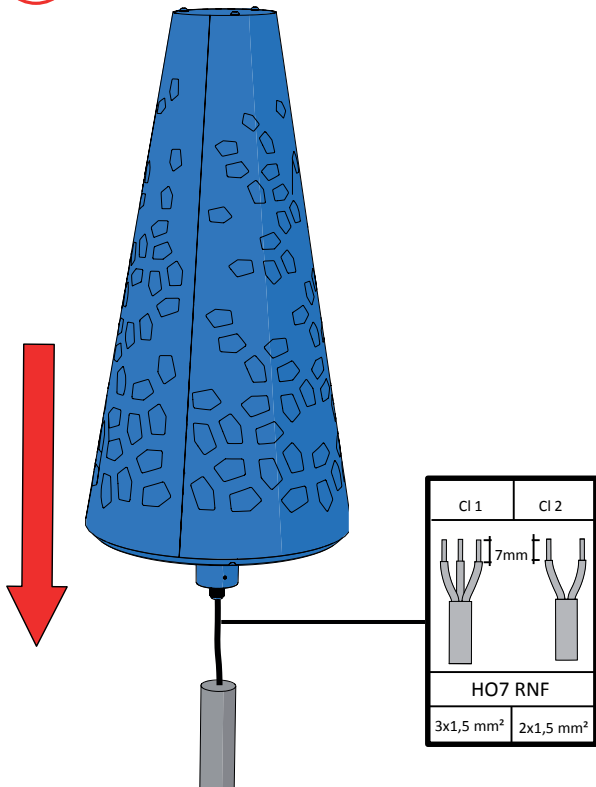


Fragment

 1013x478	 15m maximum	 20 kg 44.1 lb	 AC 220V-240V 50/60Hz		
 SCx: 0.22	 Standard Norme installation		Position de fonctionnement: Verticale Operating position: Vertical		

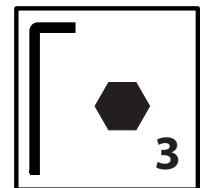
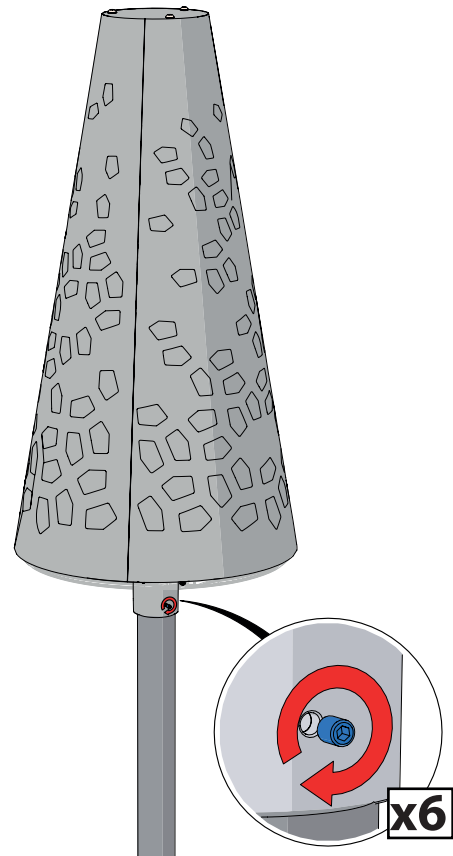
Installation portée/ Top mounted installation

1

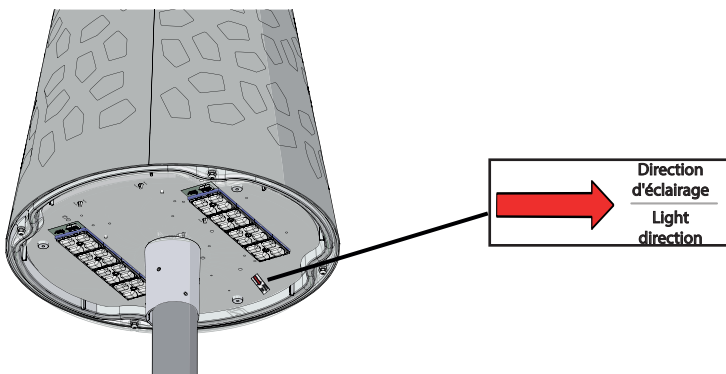


Réglage/Setting

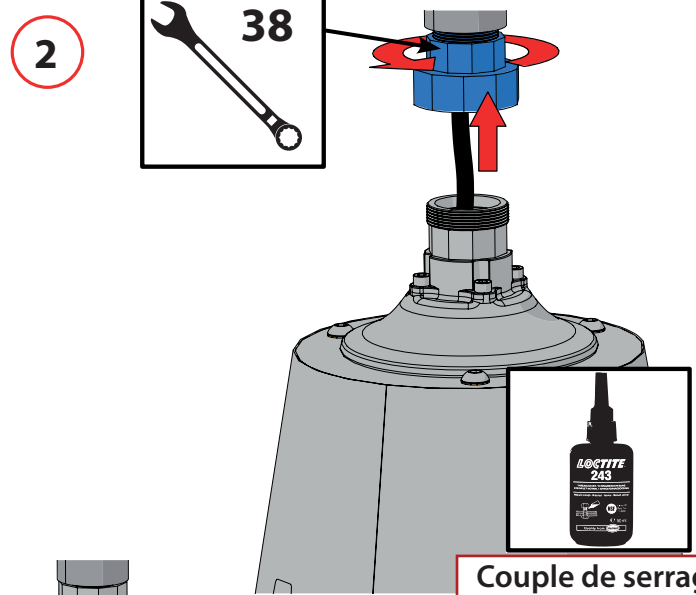
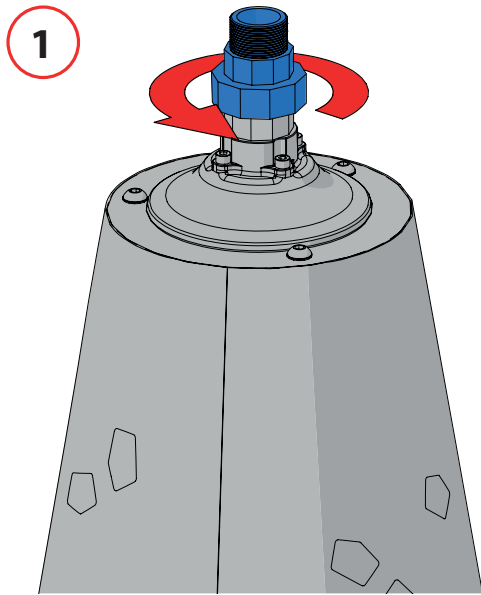
2



Couple de serrage
Tightening torque
5 N.m

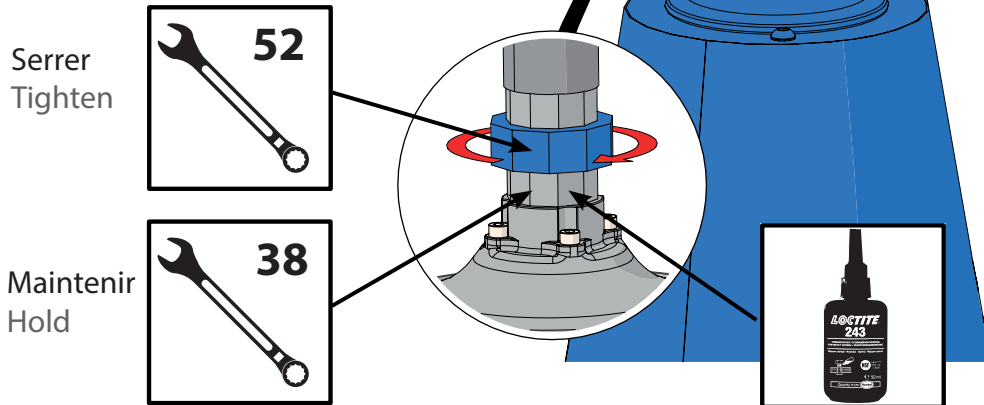


Installation suspendue/Suspended installation



Couple de serrage
Tightening torque
32 N.m

Couple de serrage
Tightening torque
32 N.m



Nettoyage/ Cleaning

