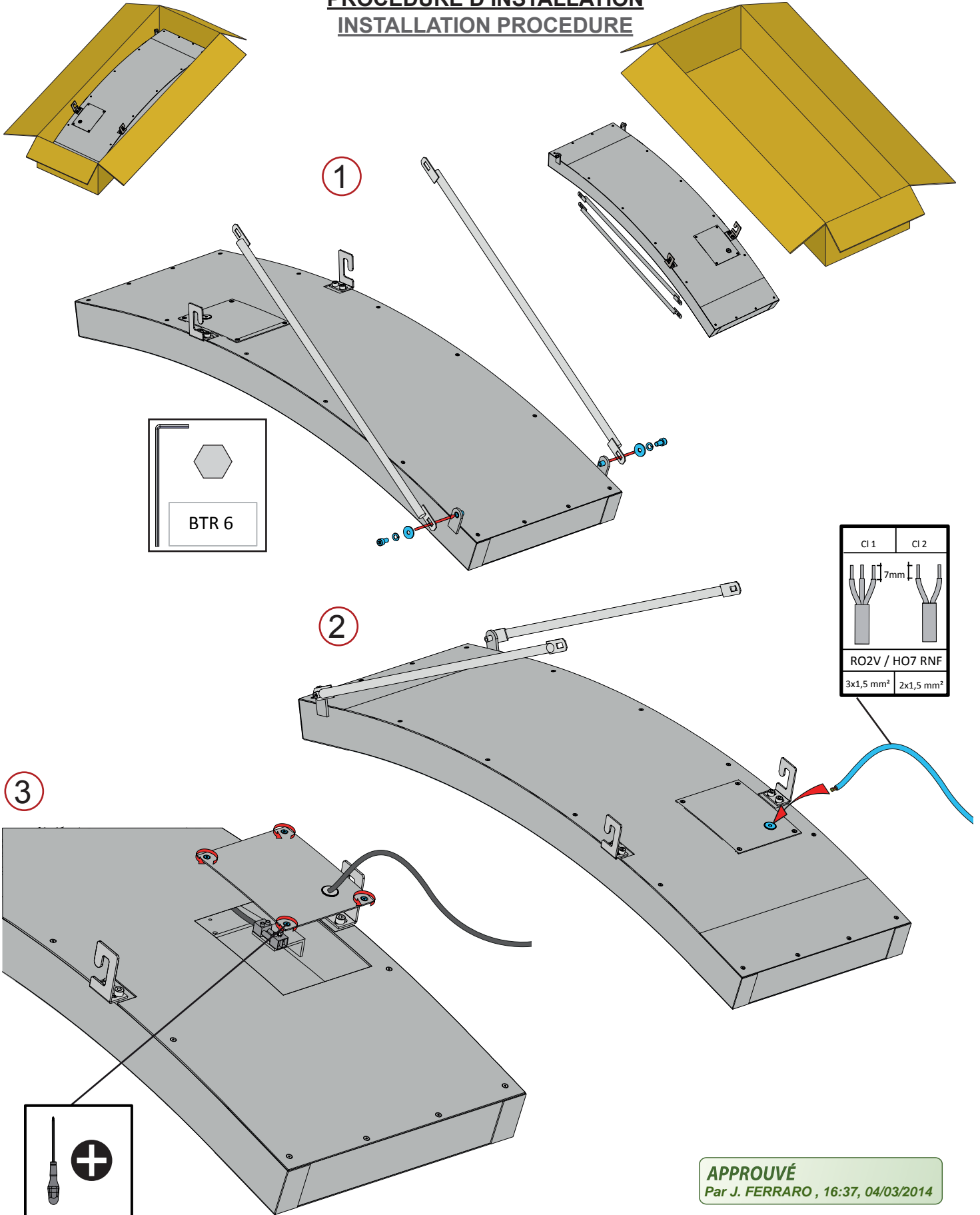


KETCH INSTALLATION & MAINTENANCE

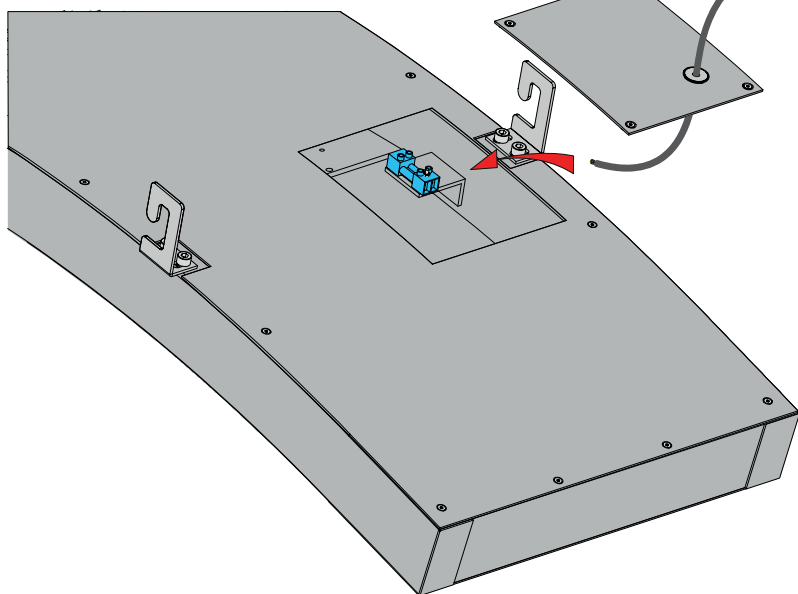
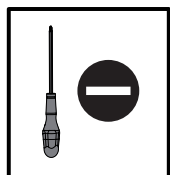


PROCEDURE D'INSTALLATION INSTALLATION PROCEDURE

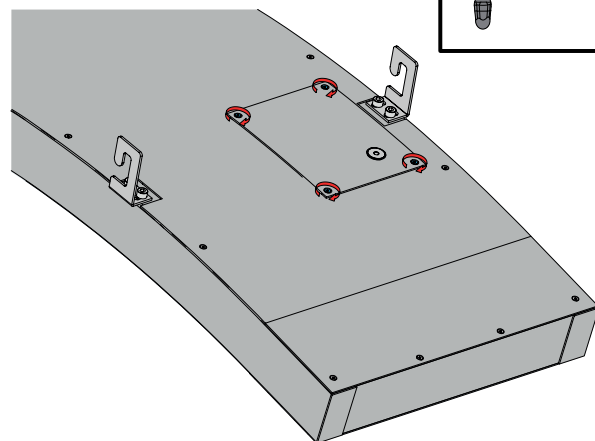
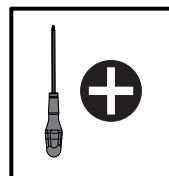


APPROUVÉ
Par J. FERRARO , 16:37, 04/03/2014

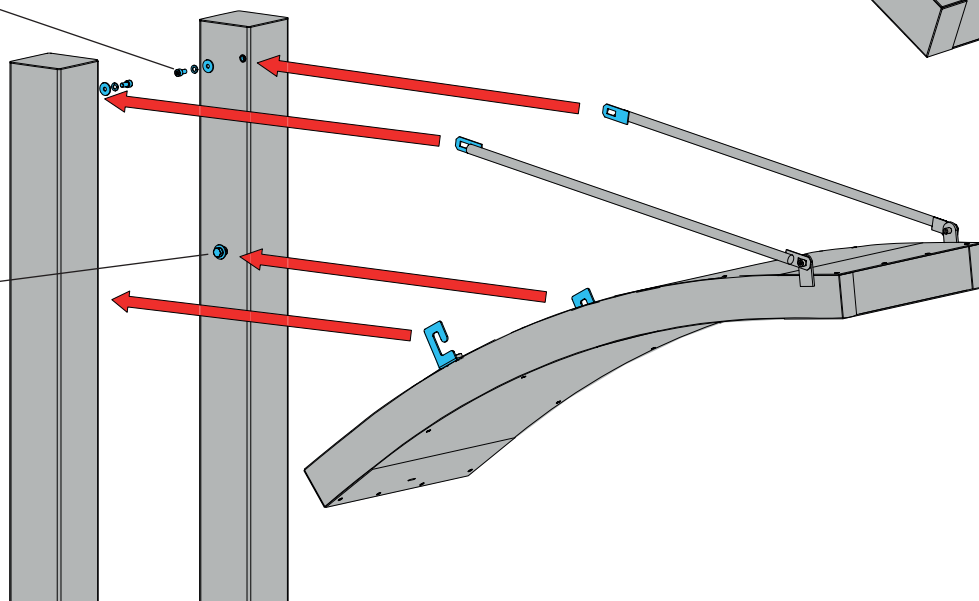
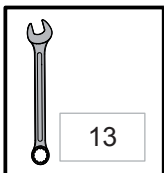
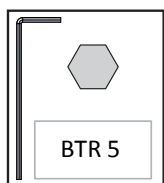
4



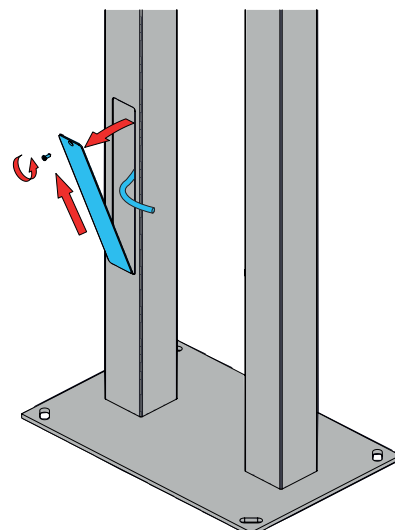
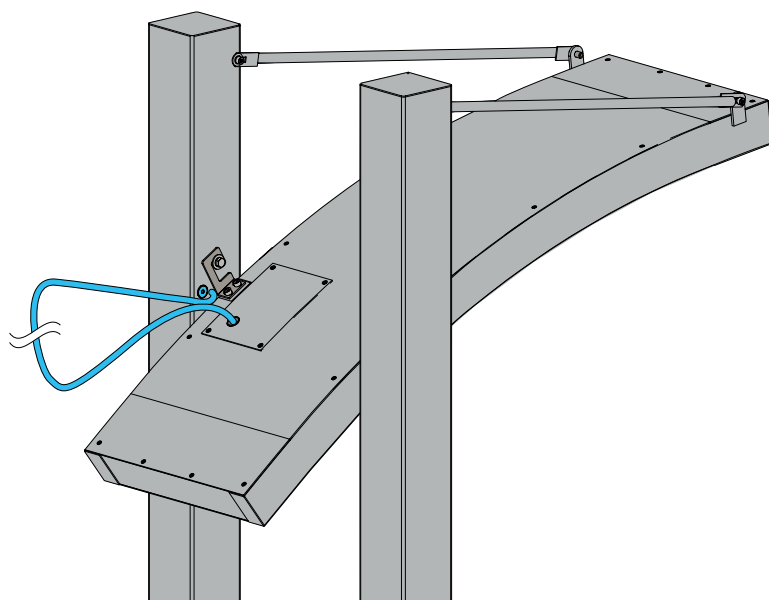
5



6

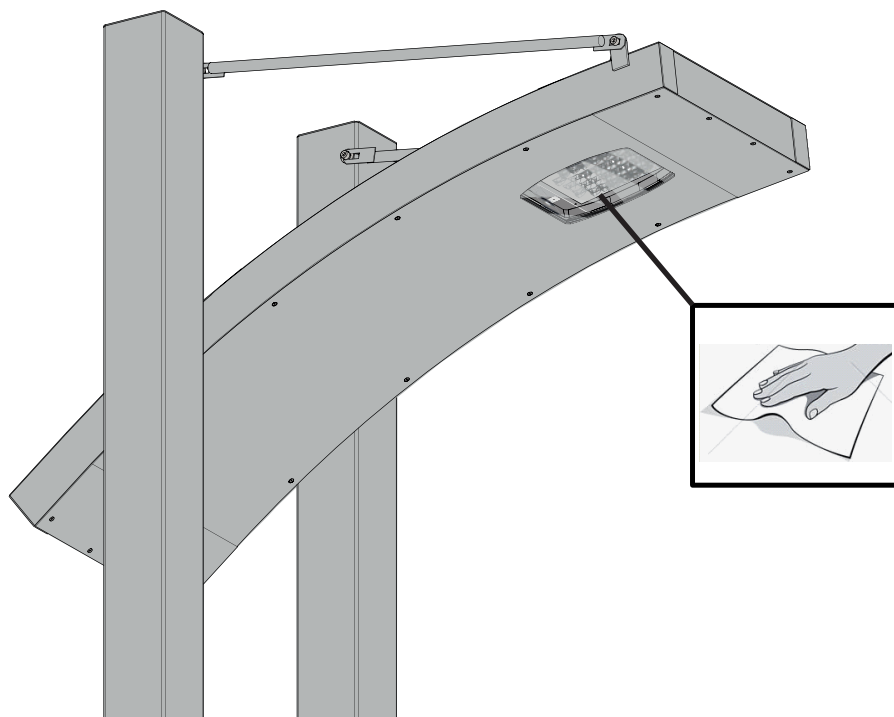


7



MAINTENANCE
MAINTENANCE

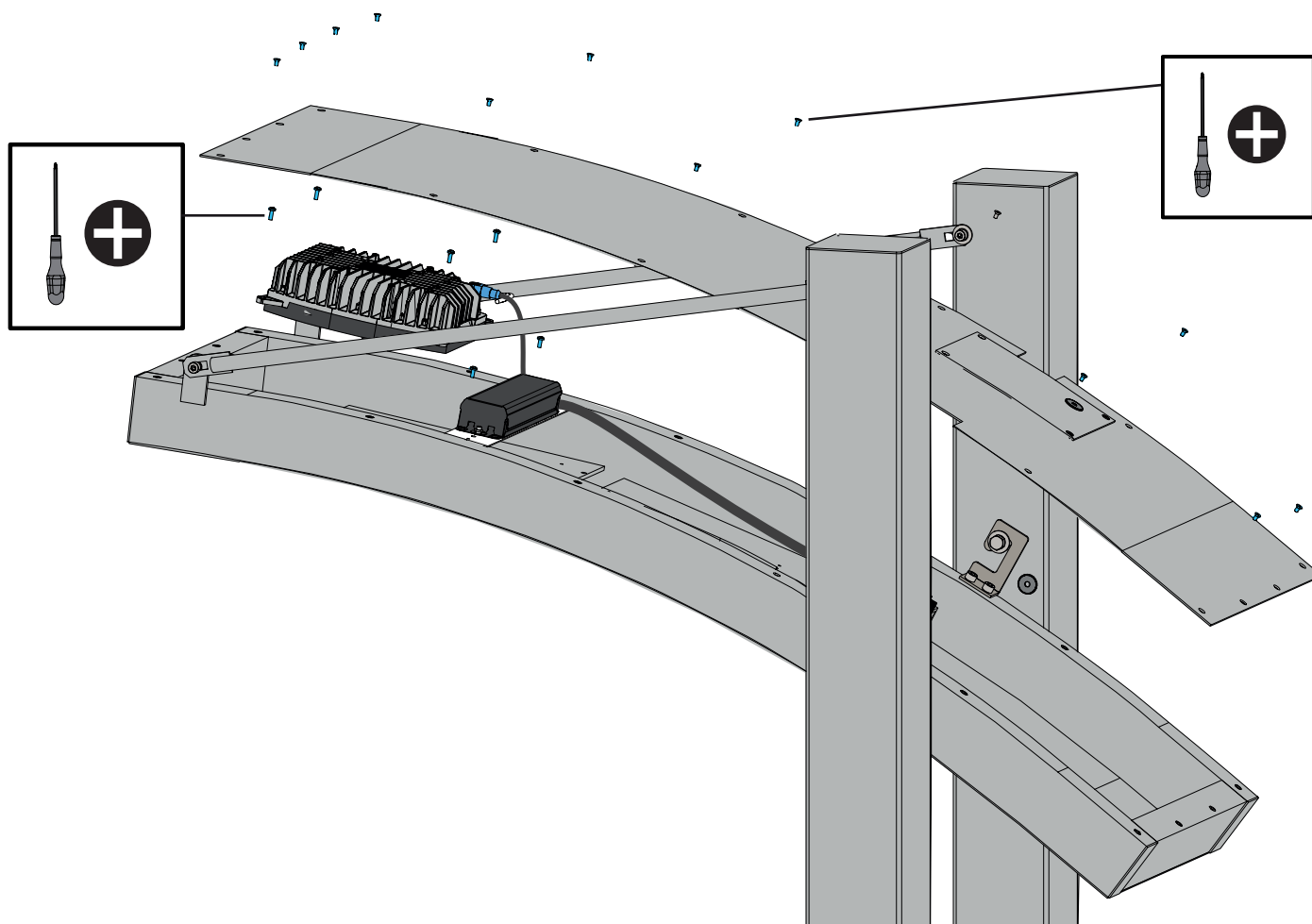
Nettoyage du verre
Glass cleaning



Démontage du Driver
Control gear dismantling

&

Démontage du module Opticaled Evo
Opticaled Evo dismantling



CARACTERISTIQUES TECHNIQUES TECHNICAL CHARACTERISTICS



RAGNI

Dimensions: **Dimensions:**

Ketch 500	1000mm x 1175mm x 5000mm 39.37In x 46.26in x 196.85in
Ketch 600	1000mm x 1175mm x 6000mm 39.37In x 46.25in x 236.22in
Ketch 700	1000mm x 1175mm x 7000mm 39.37in x 46.25in x 275.59in
Ketch 800	1000mm x 1175mm x 8000mm 39.37in x 46.25in x 314.96in
Ketch 900	1000mm x 1175mm x 9000mm 39.37in x 46.25in x 354.33in
Ketch 1000	1000mm x 1175mm x 10000mm 39.37in x 46.25in x 393.70in

Position de fonctionnement: **Operating position:**

Verticale, flux dirigé vers le bas
Vertical, downward light flux

Poids: **Weight:**

- Ketch 500:	312 Kg 687.84 lb
- Ketch 600:	360 Kg 793.66 lb
- Ketch 700:	405 Kg 892.87 lb
- Ketch 800:	450 Kg 992.1 lb
- Ketch 900:	520 Kg 1146.4 lb
- Ketch 1000:	555 Kg 1223.56 lb

Classe électrique / Electric class :

II

Frequence / Frequency :

50/60Hz (LED)