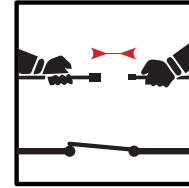
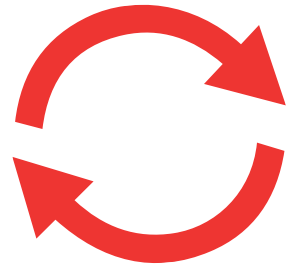
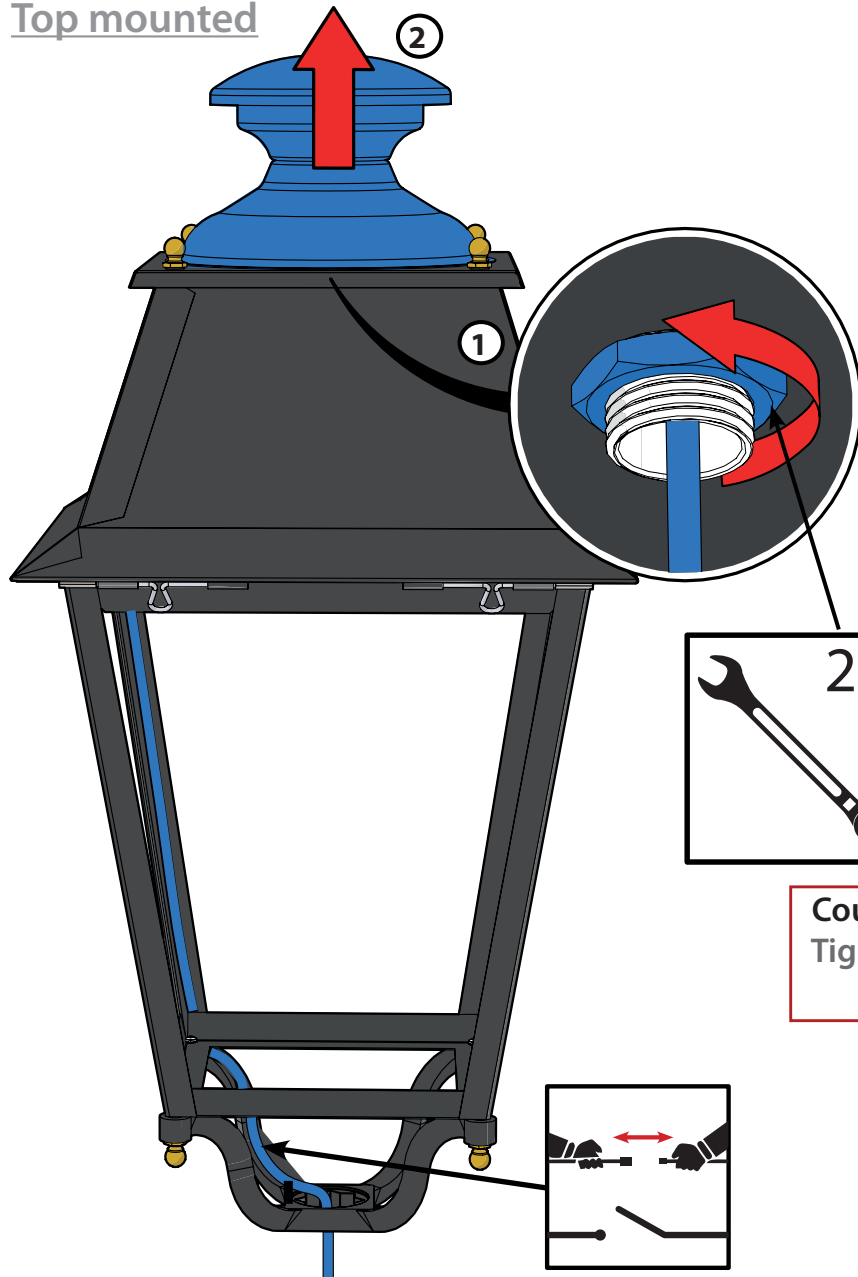


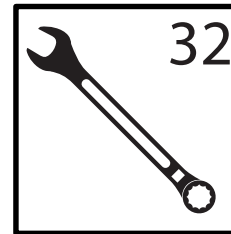
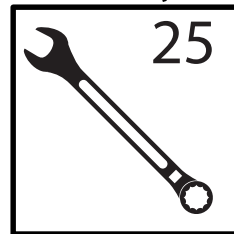
Vence transformation

Portée
Top mounted

Suspendue
Suspended



Frein filet
Threadlocker



Couple de serrage
Tightening torque
10 N.m

